

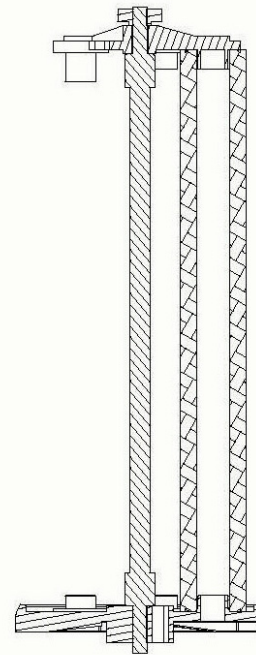
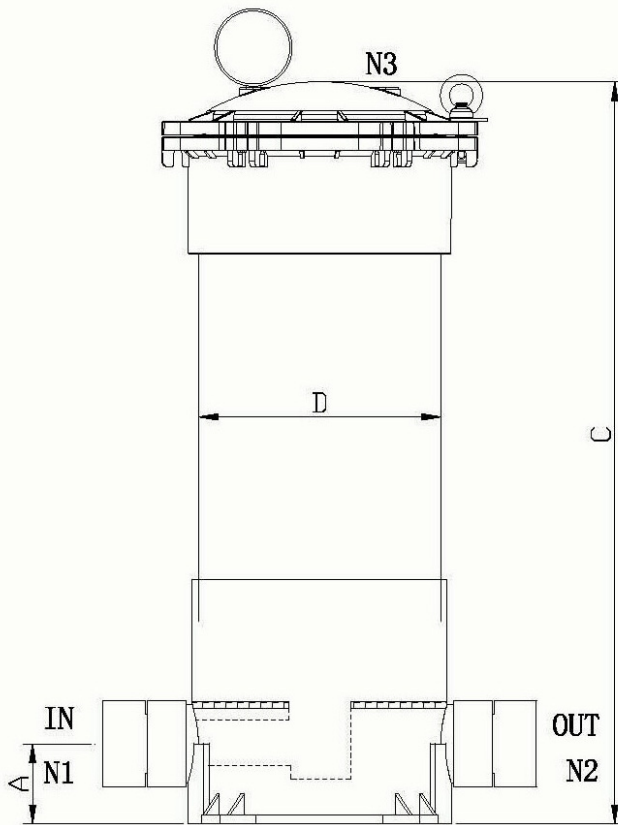
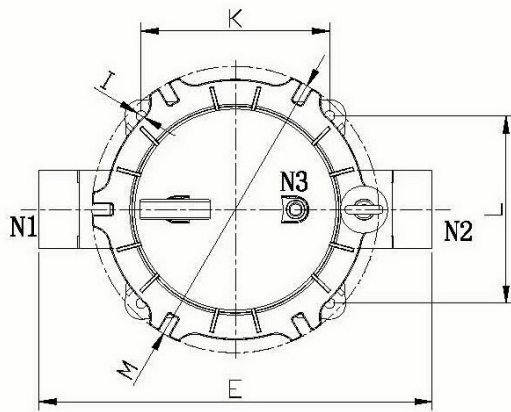
CHEMICAL HIGH RESISTANCE PVC-U MULTICARTRIDGES FILTER HOUSINGS HPCF SERIES



- PVC-U multicartridges filter housings for 5 cartridges flanged top opening;
- with three pieces in / out female socket weld connections;
- with two 1/4" threaded connections for air valve pressure gauges and for drain filter;
- all filter housing internal material and all internal spare parts are in PVC-U for high chemical corrosion resistance;
- opening gasket in silicone material;
- connection gasket in EPDM material;
- with aeration valve and pressure gauge;
- European 97/23/EC Directive compliant for pressure equipment (PED);
- design pressure = 6,0 bar @ 25°C;
- hydraulic test pressure = 7,8 bar;
- max Δp = 1,4 bar;
- operating temperature = 5 ÷ 40 °C;
- In/Out connections DN50 / D. 63 mm;
- suitable for DOE cartridges;
- cartridges dimensions: ID 28÷30 mm, OD 65÷71 mm and length 20"- 30"- 40".

REF.	MODEL	CARTRIDGES NUMBER	WEIGHT (kg)	CAPACITY (litres)
FB560	HPCF/B-5DC2	n.5 2,5" x 20"	11,0	20,6
FB561	HPCF/B-5DC3	n.5 2,5" x 30"	12,7	29,4
FB562	HPCF/B-5DC4	n.5 2,5" x 40"	14,4	38,2

CHEMICAL HIGH RESISTANCE PVC-U MULTICARTRIDGES FILTER HOUSINGS HPCF SERIES



REF.	MODEL	A *	C *	D *	E *	I *	K *	L *	M *	N1 N2 *	N3
FB560	HPCF/B-5DC2	75	715	225	473	10	187,5	186	290	63	G ¼"
FB561	HPCF/B-5DC3	75	965	225	473	10	187,5	186	290	63	G ¼"
FB562	HPCF/B-5DC4	75	1215	225	473	10	187,5	186	290	63	G ¼"

* Dimensions are in mm.

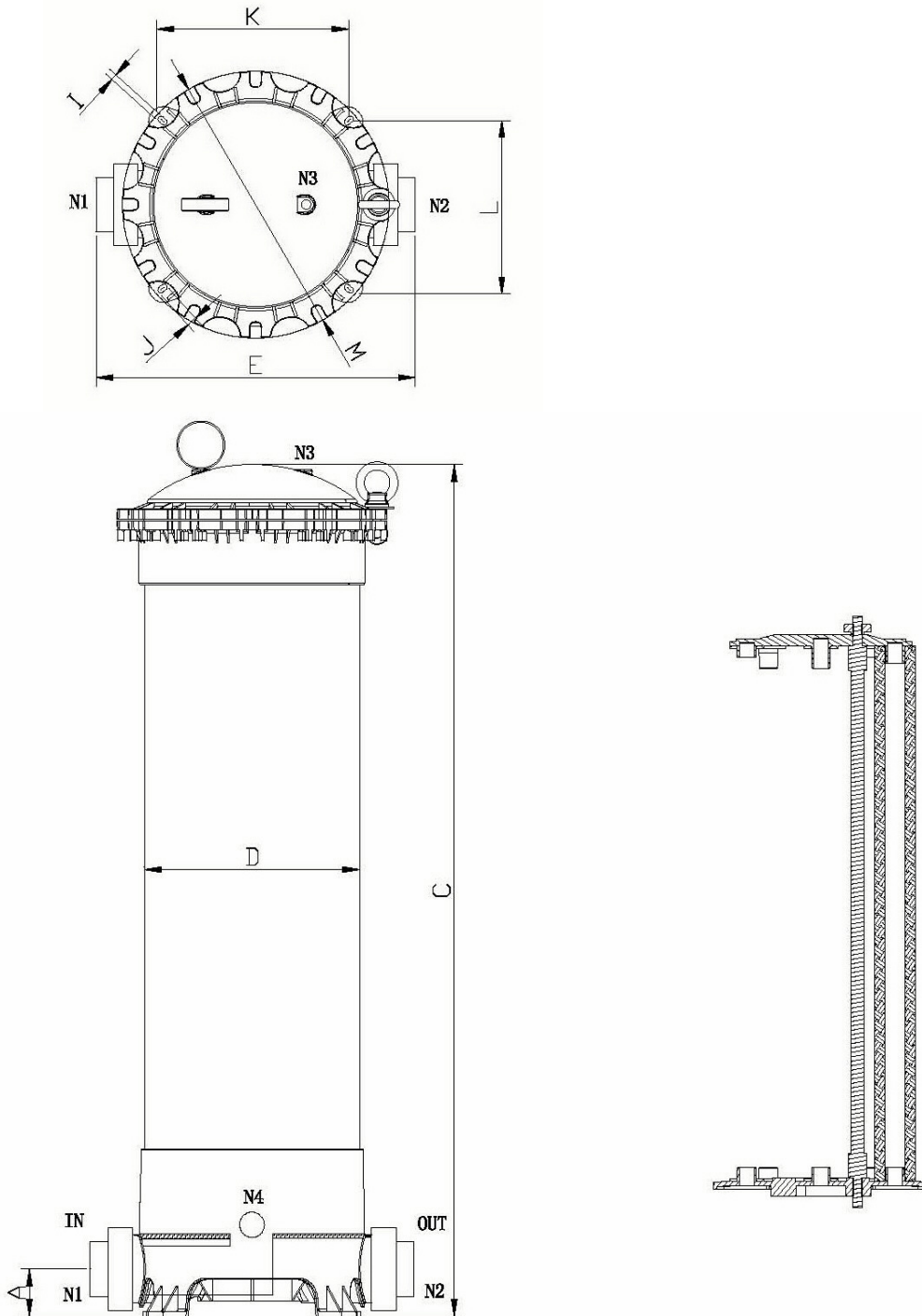
CHEMICAL HIGH RESISTANCE PVC-U MULTICARTRIDGES FILTER HOUSINGS HPCF SERIES



- PVC-U multicartridges filter housings for 9 cartridges flanged top opening;
- with three pieces in / out female socket weld connections;
- with two 1/4" threaded connections for air valve pressure gauges and for drain filter;
- all filter housing internal material and all internal spare parts are in PVC-U for high chemical corrosion resistance;
- opening gasket in silicone material;
- connection gasket in EPDM material;
- with aeration valve and pressure gauge;
- European 97/23/EC Directive compliant for pressure equipment (PED);
- design pressure = 6,0 bar @ 25°C;
- hydraulic test pressure = 7,8 bar;
- max Δp = 1,4 bar;
- operating temperature = 5 ÷ 40 °C;
- In/Out connections DN80 / D. 90 mm;
- 1/2" drain connection;
- suitable for DOE cartridges;
- cartridges dimensions: ID 28÷30 mm, OD 65÷71 mm and length 20"- 30"- 40".

REF.	MODEL	CARTRIDGES NUMBER	WEIGHT (kg)	CAPACITY (litres)
FB564	HPCF/B-9DC2	n.9 2,5" x 20"	20,0	39,7
FB565	HPCF/B-9DC3	n.9 2,5" x 30"	23,0	57,0
FB566	HPCF/B-9DC4	n.9 2,5" x 40"	26,0	74,3

CHEMICAL HIGH RESISTANCE PVC-U MULTICARTRIDGES FILTER HOUSINGS HPCF SERIES



REF.	MODEL	A *	C *	D *	E *	I *	J *	K *	L *	M *	N1 N2 *	N3	N4
FB564	HPCF/B-9DC2	69	745	315	510	9	15	276	249	395	90	G ¼"	½"
FB565	HPCF/B-9DC3	69	995	315	510	9	15	276	249	395	90	G ¼"	½"
FB566	HPCF/B-9DC4	69	1245	315	510	9	15	276	249	395	90	G ¼"	½"

* Dimensions are in mm.